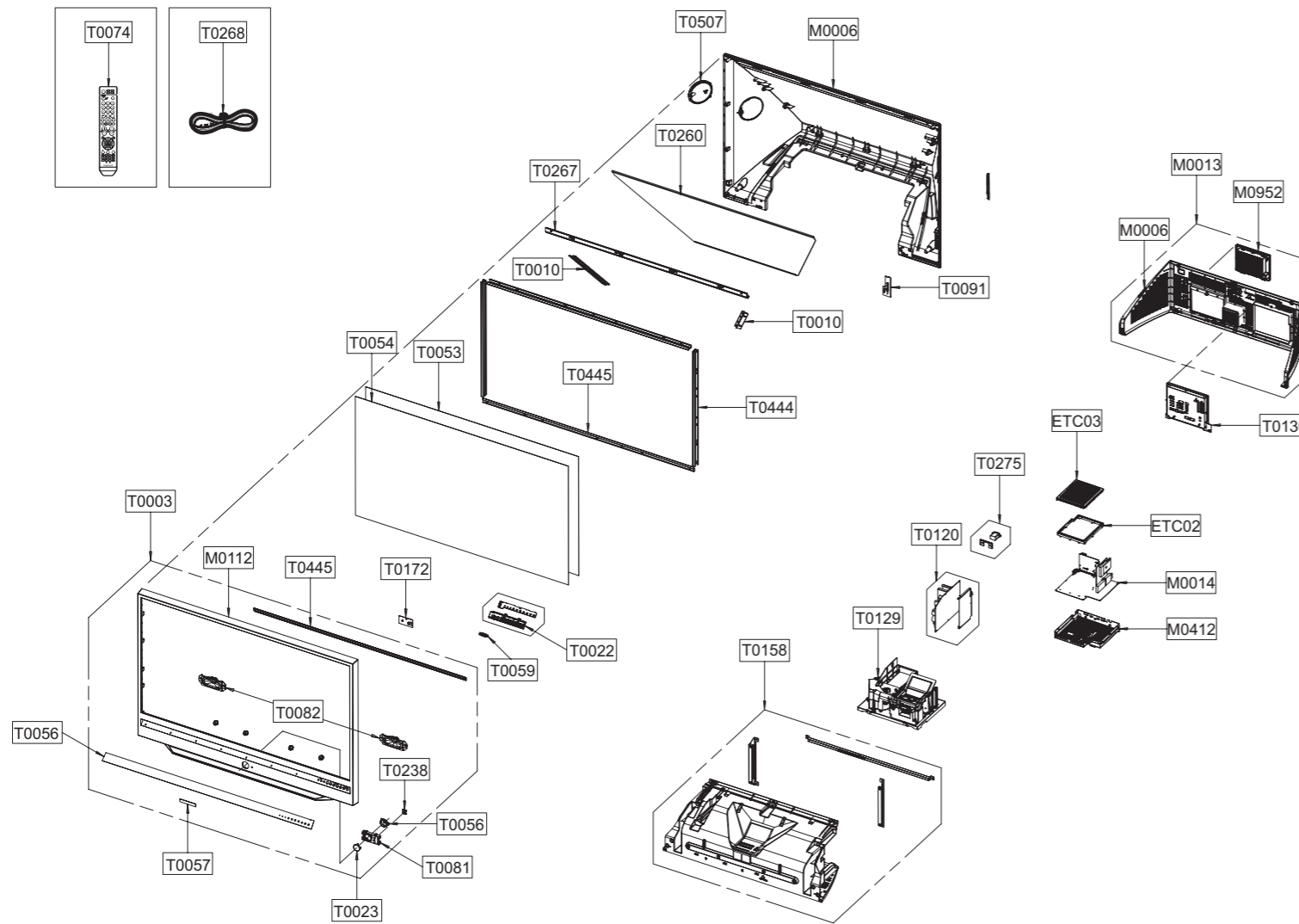


4. Exploded View & Part List

4-1 HLS5086WX/XAA

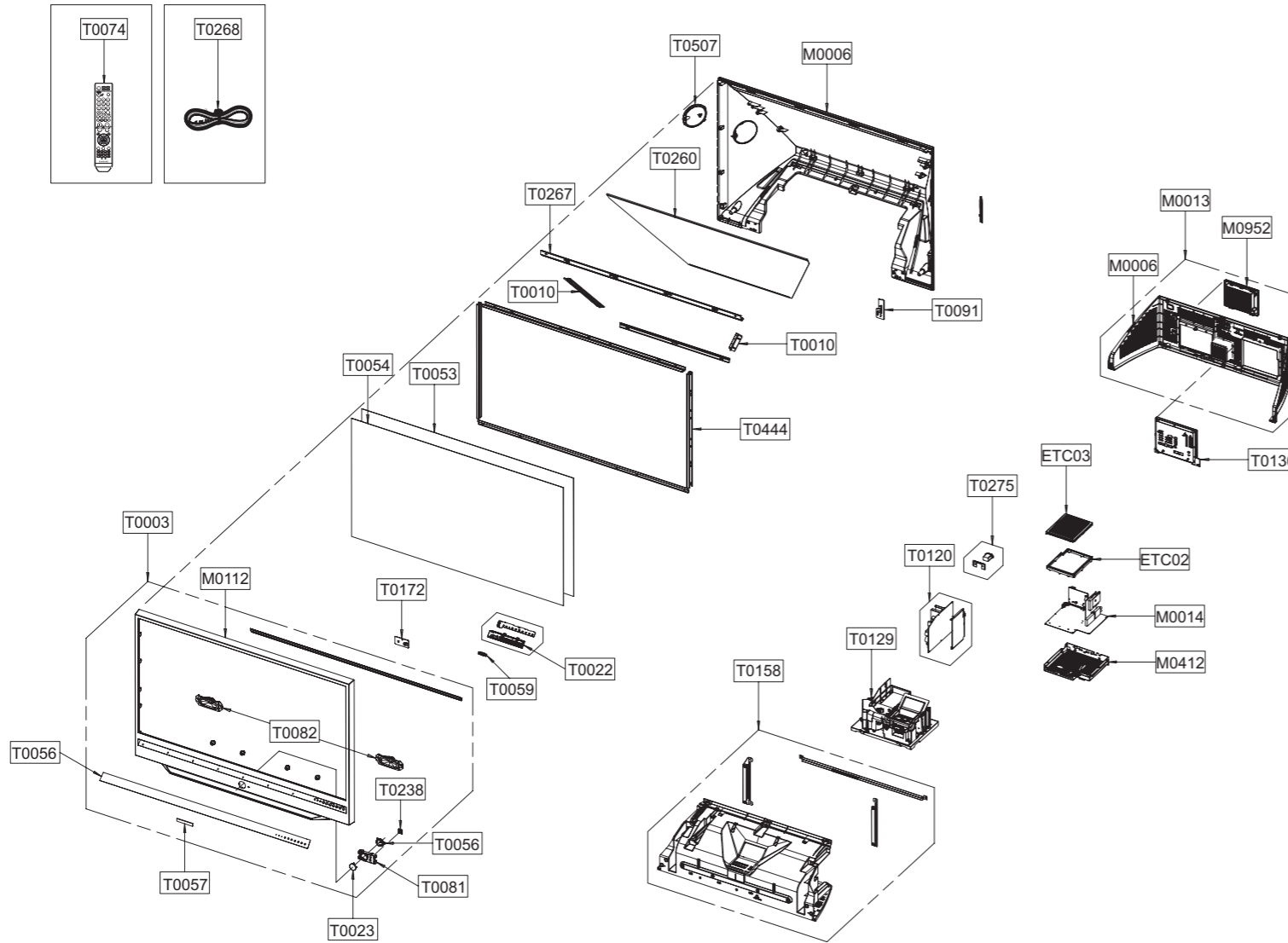
You can search for the updated part code through ITSELF web site.
 URL: <http://itself.sec.samsung.co.kr>



Loc.No.	Code No.	Description	Specification	Q'ty	SA/SNA	Remark
ETC02	BP96-01571A	ASSY SHIELD P-BOTTOM	K2,EINSTEIN,SPTE,T0	1	S.N.A	
ETC03	BP63-00645A	SHIELD-CASE, TOP	NOBEL, SPTE, T0.5, TOP	1	S.N.A	
M0006	BP63-00721A	COVER-REAR	50K2/K3,HIPS,HB,BK500	1	S.A	
M0006	BP63-00714A	COVER-REAR BOTTOM	K2/K3,HIPS,V0,BK500	1	S.N.A	
M0013	BP96-01473A	ASSY COVER P-REAR BOTTOM	K2/K3,HIPS,V0,B	1	S.A	
M0014	BP94-02262A	ASSY PCB MAIN	HLS5686WX/XAA,L64D K2,EIN	1	S.A	
M0112	BP63-00720A	COVER-FRONT	50K2,HIPS,HB,BK500,BKP1526	1	S.N.A	
M0412	BP96-01421A	ASSY BRACKET P-PCB	NOBEL, SECC, T1.0	1	S.N.A	
M0952	BP63-00710A	COVER-DUCT	K2/K3,ABS,V0,BK07,RT195	1	S.N.A	
T0003	BP96-01459A	ASSY COVER P-FRONT	50K2,SEA(L64D),HIPS,H	1	S.A	
T0010	BP96-00940A	ASSY HOLDER P-MIRROR LEFT	L6 ALL, L8, HIP	1	S.A	
T0010	BP96-00941A	ASSY HOLDER P-MIRROR RIGHT	L6 ALL, L8, HI	1	S.A	
T0022	BP64-00587A	KNOB CONTROL	K2,ABS,HB,BK07,AL V/P	1	S.N.A	
T0023	BP64-00589A	KNOB POWER	K3,PC,VIOLET	1	S.N.A	
T0053	BP67-00262A	SCREEN FRESNEL	HURRICANE,50W,1126mm*646m	1	S.A	
T0054	BP67-00261A	SCREEN LENTI	HURRICANE,50W,1126mm*646mm,	1	S.A	
T0056	BP63-00723A	COVER-DECORATION	50K2,PC SHEET,T0.6,SILV	1	S.N.A	
T0056	BP63-00749A	COVER-DECORATION	K2,ABS,HB,BK07,AL V/P	1	S.N.A	
T0057	BP64-00177A	BADGE-BRAND	ALL,AL,T1.5,70,11.3,BLK,SILI	1	S.N.A	
T0059	BP64-00590A	INDICATOR LED	K2,ABS,HB,MILKY SMOG	1	S.N.A	
T0074	BP59-00107A	REMOCON	EINSTEIN,TM87B,54,NTSC,L64D	1	S.A	
T0081	BP61-01259A	GUIDE-POWER	K2,ABS,HB,BK07	1	S.N.A	
T0082	3001-001822	SPEAKER	10W,8ohm,90dB/1W,0.5m,140Hz,130*	2	S.A	
T0091	BP94-02270A	ASSY PCB MISC-AV SIDE	HLS5686,L64D,K2	1	S.A	
T0120	BP94-02261A	ASSY PCB POWER	L64D(L6),AC120V,ATSC(W/O	1	S.A	
T0129	BP96-01468A	ASSY ENGINE P-DLP	50K2,PHILIPS 132W,E22,	1	S.A	
T0130	BP96-01423B	ASSY COVER P-TERMINAL BOARD	EINSTEIN,HIP	1	S.N.A	
T0158	BP96-01462C	ASSY COVER P-MAIN	K2,K3,SAMEX,HIPS,V0,BK	1	S.N.A	
T0172	BP94-02272A	ASSY PCB MISC-RMC	HLS5686,L64D,K2	1	S.A	
T0238	BP64-00385A	WINDOW REMOCON	50L3,PC,VIOLET	1	S.N.A	
T0260	BP67-00254A	MIRROR-FRONT	Front Mirror 50",1056*551*5	1	S.A	
T0267	BP61-01234A	BRACKET-MIRROR TOP	50K2,AL6063 EXTR	1	S.N.A	
T0268	3903-000144	CBF-POWER CORD	DT,US,BP3/Y,U(IEC C13-RA)	1	S.A	
T0275	BP96-00972A	ASSY MISC P-INLET	SVP-50L6HD,HURRICANE,D	1	S.A	
T0444	BP96-01482A	ASSY BRACKET P-SCREEN SIDE	50K2,AL 6063,	2	S.N.A	
T0445	BP96-01483A	ASSY BRACKET P-SCREEN BOTTOM	50K2,AL 606	1	S.N.A	
T0445	BP96-01484A	ASSY BRACKET P-SCREEN BOTTOM	50K2,SECC-1	1	S.N.A	
T0507	BP63-00709A	COVER-DUST	K2/K3,HIPS,HB,BK500	2	S.N.A	

4-2 HLS5686WX/XAA

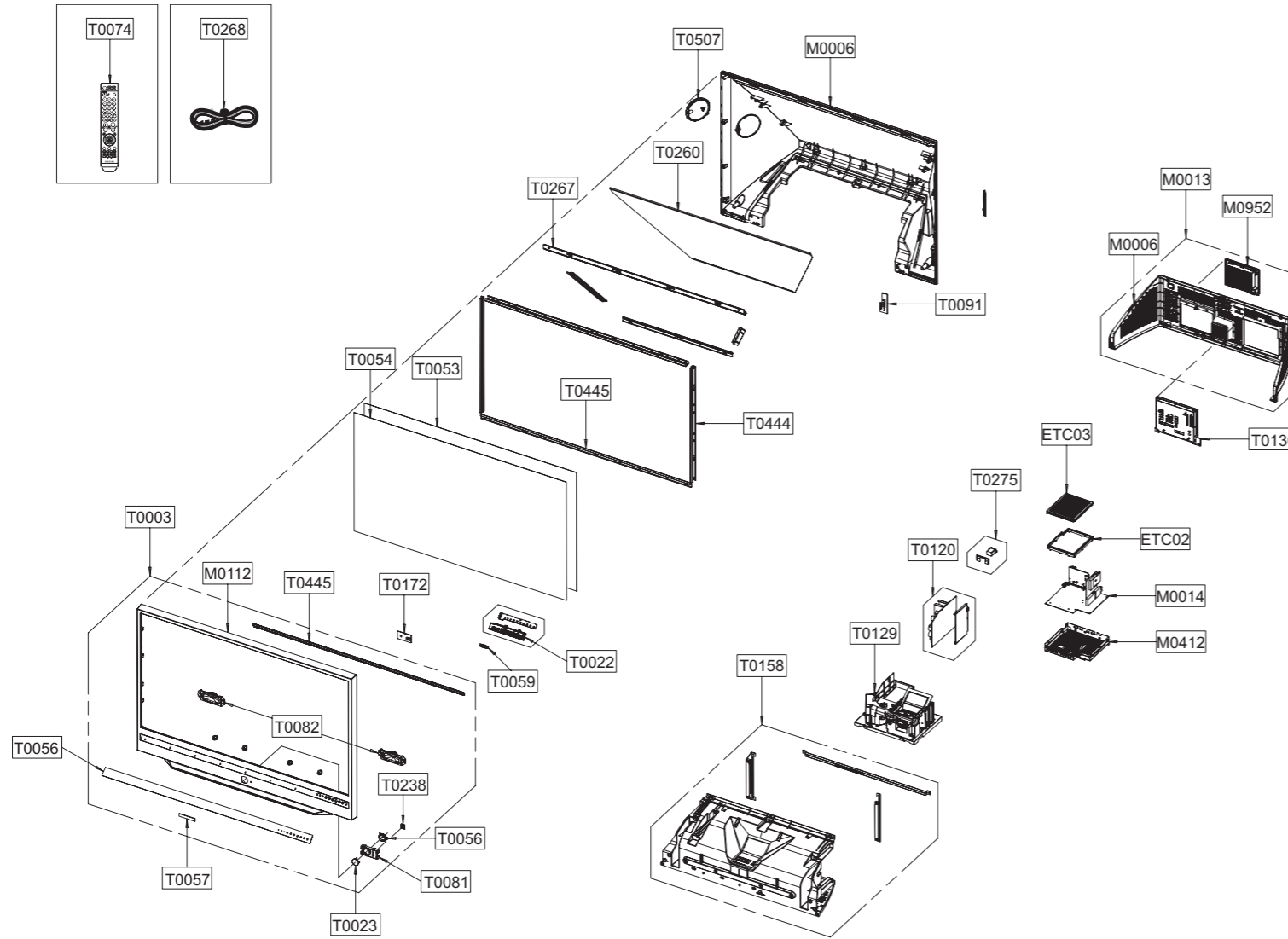
You can search for the updated part code through ITSELF web site.
 URL: <http://itself.sec.samsung.co.kr>



Loc.No.	Code No.	Description	Specification	Q'ty	SA/SNA	Remark
ETC02	BP96-01571A	ASSY SHIELD P-BOTTOM	K2,Einstein,SPTE,T0	1	S.N.A	
ETC03	BP63-00645A	SHIELD-CASE, TOP	NOBEL,SPTE,T0.5, TOP	1	S.N.A	
M0006	BP63-00707A	COVER-REAR	56K2/K3,HIPS,HB,BK500	1	S.N.A	
M0006	BP63-00714A	COVER-REAR BOTTOM	K2/K3,HIPS,V0,BK500	1	S.N.A	
M0013	BP96-01473A	ASSY COVER P-REAR BOTTOM	K2/K3,HIPS,V0,B	1	S.A	
M0014	BP94-02262A	ASSY PCB MAIN	HLS5686WX/XAA,L64D K2,EIN	1	S.A	
M0112	BP63-00703A	COVER-FRONT	56K2,HIPS,HB,BK500,BKP1526,S	1	S.N.A	
M0412	BP96-01421A	ASSY BRACKET P-PCB	NOBEL,SECC,T1.0	1	S.N.A	
M0952	BP63-00710A	COVER-DUCT	K2/K3,ABS,V0,BK07,RTI95	1	S.N.A	
T0003	BP96-01460A	ASSY COVER P-FRONT	56K2,SEA(L64D),HIPS,H	1	S.A	
T0010	BP96-00940A	ASSY HOLDER P-MIRROR LEFT	L6 ALL, L8,HIP	1	S.A	
T0010	BP96-00941A	ASSY HOLDER P-MIRROR RIGHT	L6 ALL, L8,HI	1	S.A	
T0022	BP64-00587A	KNOB CONTROL	K2,ABS,HB,BK07,AL V/P	1	S.N.A	
T0023	BP64-00589A	KNOB POWER	K3,PC,VIOLET	1	S.N.A	
T0053	BP67-00231A	SCREEN FRESNEL	HURRICANE,Methyl Methacry	1	S.A	
T0054	BP67-00232A	SCREEN LENTI	HURRICANE,PMMC, MMBS,56W, 1	1	S.A	
T0056	BP63-00711A	COVER-DECORATION	56K2,PC SHEET,T0.6,SILV	1	S.N.A	
T0056	BP63-00749A	COVER-DECORATION	K2,ABS,HB,BK07,AL V/P	1	S.N.A	
T0057	BP64-00178A	BADGE-BRAND	ALL,AL,T1.5,78,13.0,,BLK,SIL	1	S.A	
T0059	BP64-00590A	INDICATOR LED	K2,ABS,HB,MILKY SMOG	1	S.N.A	
T0074	BP59-00107A	REMOCON	Einstein,TM87B,54,NTSC,L64D	1	S.A	
T0081	BP61-01259A	GUIDE-POWER	K2,ABS,HB,BK07	1	S.N.A	
T0082	3001-001822	SPEAKER	10W,8ohm,90dB/1W,0.5m,140Hz,130*	2	S.A	
T0091	BP94-02270A	ASSY PCB MISC-A/V SIDE	HLS5686,L64D,K2	1	S.A	
T0120	BP94-02261A	ASSY PCB POWER	L64D(L6),AC120V,ATSC(W/O	1	S.A	
T0129	BP96-01468B	ASSY ENGINE P-DLP	56K2,PHILIPS 132W,E22,	1	S.A	
T0130	BP96-01423B	ASSY COVER P-TERMINAL BOARD	EINSTEIN,HIP	1	S.N.A	
T0158	BP96-01462C	ASSY COVER P-MAIN	K2,K3,SAMEX,HIPS,V0,BK	1	S.N.A	
T0172	BP94-02272A	ASSY PCB MISC-RMC	HLS5686,L64D,K2	1	S.A	
T0238	BP64-00385A	WINDOW REMOCON	50L3,PC,VIOLET	1	S.N.A	
T0260	BP67-00255A	MIRROR-FRONT	Front Mirror 56",Glass,1200	1	S.A	
T0267	BP61-01220A	BRACKET-MIRROR TOP	56K2,AL 6063,EXTR	1	S.N.A	
T0268	3903-000144	CBF-POWER CORD	DT,US,BP3/Y,U(IEC C13-RA)	1	S.A	
T0275	BP96-00972A	ASSY MISC P-INLET	SVP-50L6HD,HURRICANE,D	1	S.A	
T0444	BP96-01476A	ASSY BRACKET P-SCREEN SIDE	56K2,AL 6063,	2	S.N.A	
T0507	BP63-00709A	COVER-DUST	K2/K3,HIPS,HB,BK500	2	S.N.A	

4-3 HLS6186WX/XAA

You can search for the updated part code through ITSELF web site.
 URL: <http://itself.sec.samsung.co.kr>



Loc.No.	Code No.	Description	Specification	Q'ty	SA/SNA	Remark
ETC02	BP96-01571A	ASSY SHIELD P-BOTTOM	K2,Einstein,SPTe,T0	1	S.N.A	
ETC03	BP63-00645A	SHIELD-CASE, TOP	NOBEL,SPTe,T0.5, TOP	1	S.N.A	
M0006	BP63-00713A	COVER-REAR	61K2/K3,HIPS,HB,BK500	1	S.N.A	
M0006	BP63-00714A	COVER-REAR BOTTOM	K2/K3,HIPS,V0,BK500	1	S.N.A	
M0013	BP96-01473A	ASSY COVER P-REAR BOTTOM	K2/K3,HIPS,V0,B	1	S.A	
M0014	BP94-02262A	ASSY PCB MAIN	HLS5686WX/XAA,L64D K2,EIN	1	S.A	
M0112	BP63-00704A	COVER-FRONT	61K2,HIPS,HB,BK500,BKP1526,S	1	S.N.A	
M0412	BP96-01421A	ASSY BRACKET P-PCB	NOBEL,SECC,T1.0	1	S.N.A	
M0952	BP63-00710A	COVER-DUCT	K2/K3,ABS,V0,BK07,RT195	1	S.N.A	
T0003	BP96-01461A	ASSY COVER P-FRONT	61K2,SEA(L64D),HIPS,H	1	S.A	
T0022	BP64-00587A	KNOB CONTROL	K2,ABS,HB,BK07,AL V/P	1	S.N.A	
T0023	BP64-00589A	KNOB POWER	K3,PC,VIOLET	1	S.N.A	
T0053	BP67-00270A	SCREEN FRESNEL	HURRICANE,61W,1381mm*790m	1	S.A	
T0054	BP67-00269A	SCREEN LENTI	HURRICANE,61W,1381mm*790mm,	1	S.A	
T0056	BP63-00712A	COVER-DECORATION	61K2,PC SHEET,T0.6,SILV	1	S.N.A	
T0056	BP63-00749A	COVER-DECORATION	K2,ABS,HB,BK07,AL V/P	1	S.N.A	
T0057	BP64-00178A	BADGE-BRAND	ALL,AL,T1.5,78,13.0,,BLK,SIL	1	S.A	
T0059	BP64-00590A	INDICATOR LED	K2,ABS,HB,MILKY SMOG	1	S.N.A	
T0074	BP59-00107A	REMOCON	Einstein,TM87B,54,NTSC,L64D	1	S.A	
T0081	BP61-01259A	GUIDE-POWER	K2,ABS,HB,BK07	1	S.N.A	
T0082	3001-001822	SPEAKER	10W,8ohm,90dB/1W,0.5m,140Hz,130*	2	S.A	
T0091	BP94-02270A	ASSY PCB MISC-AV SIDE	HLS5686,L64D,K2	1	S.A	
T0120	BP94-02261A	ASSY PCB POWER	L64D(L6),AC120V,ATSC(W/O	1	S.A	
T0129	BP96-01468C	ASSY ENGINE P-DLP	61K2,PHILIPS 132W,E22,	1	S.A	
T0130	BP96-01423B	ASSY COVER P-TERMINAL BOARD	EINSTEIN,HIP	1	S.N.A	
T0158	BP96-01462C	ASSY COVER P-MAIN	K2,K3,SAMEX,HIPS,V0,BK	1	S.N.A	
T0172	BP94-02272A	ASSY PCB MISC-RMC	HLS5686,L64D,K2	1	S.A	
T0238	BP64-00385A	WINDOW REMOCON	50L3,PC,VIOLET	1	S.N.A	
T0260	BP67-00256A	MIRROR-FRONT	Front mirror 61",Glass,1320	1	S.A	
T0267	BP61-01226A	BRACKET-MIRROR TOP	61K2,AL6063,EXTR	1	S.N.A	
T0268	3903-000144	CBF-POWER CORD	DT,US,BP3/Y,U(IIEC C13-RA)	1	S.A	
T0275	BP96-00972A	ASSY MISC P-INLET	SVP-50L6HD,HURRICANE,D	1	S.A	
T0444	BP96-01498A	ASSY BRACKET P-SCREEN SIDE	61K2,AL 6063,	2	S.N.A	
T0445	BP96-01500A	ASSY BRACKET P-SCREEN BOTTOM	61K2,AL6063	1	S.N.A	
T0445	BP96-01499A	ASSY BRACKET P-SCREEN BOTTOM	61K2,AL6063	1	S.N.A	
T0507	BP63-00709A	COVER-DUST	K2/K3,HIPS,HB,BK500	2	S.N.A	